



# POINT-OF-CARE



## OSOM® Ultra Plus Flu A&B Test

### STRONGER CLINICAL PERFORMANCE TAKES LATERAL FLOW TESTING TO THE NEXT LEVEL

#### Features and Benefits

- **Accurate** – High Sensitivity. High Specificity
- **No Need** for instrument – Can be performed anywhere
- **Fast and Simple Workflow** – Minimal hands-on time. Results in 10 minutes
- **Ready-to-Use** – Supplied with pre-filled vials
- **Exceptional Customer Service** – Online training modules and technical support staffed by certified medical technologists/professionals

#### Performance Characteristics

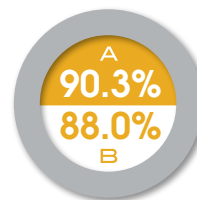
|       | Sensitivity* | Specificity* | Sample Type   | Limit of Detection**                       | Storage Temperature | Time to Result |
|-------|--------------|--------------|---------------|--|---------------------|----------------|
| FLU A | 90.3%        | 96.7%        | Nasal/NP Swab | 7.1x10 <sup>1</sup> TCID <sub>50</sub> /mL | 15-30°C             | 10 minutes     |
| FLU B | 88.0%        | 99.2%        |               |  |                     |                |

\*When compared with RT-PCR

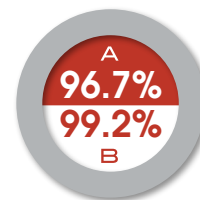
\*\*LOD for Influenza A/Michigan/45/15 (H1N1). Refer to IFU for additional LODs.



#### SENSITIVITY

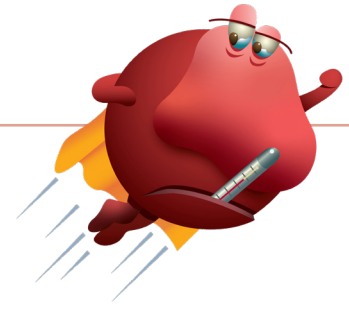


#### SPECIFICITY

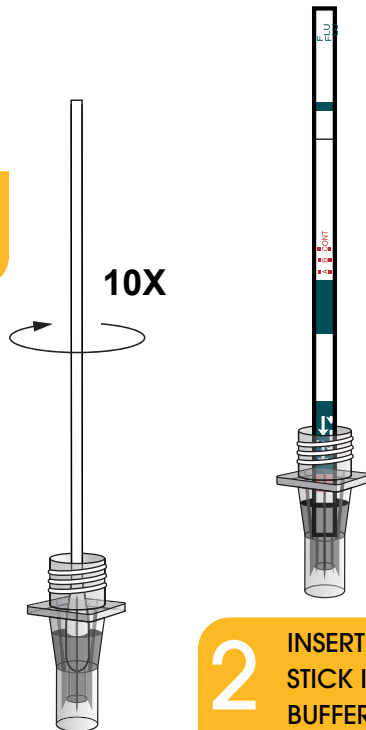


# OSOM® Ultra Plus Flu A&B Test

**SIMPLE TO USE / RESULTS IN MINUTES**



**1** INSERT SWAB IN BUFFER AND ROTATE



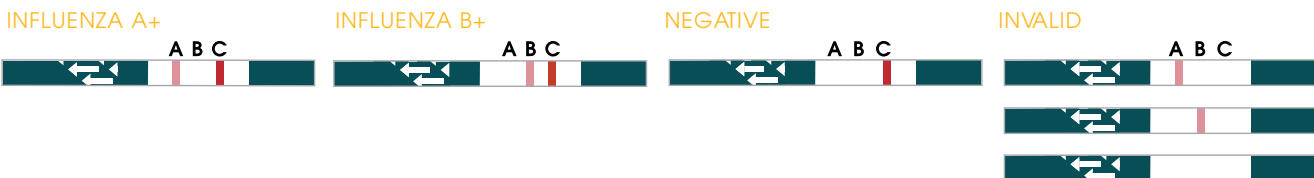
**2** INSERT TEST STICK INTO BUFFER

**3** READ RESULTS AT 10 MINUTES



Kit includes one Influenza A+ Control Swab and one Influenza B+ Control Swab

## INTERPRETATION OF RESULTS



## Ordering Information

| OSOM ULTRA PLUS FLU A&B TEST   CE MARKED | Configuration    | Catalog Number |
|--|------------------|----------------|
|  | 27 tests per kit | 1032E          |

To learn more about all of our OSOM Tests scan the code or go to [osomtests.com](http://osomtests.com)



**INTERNATIONAL**  
 SEKISUI Diagnostics (UK)  
 Limited Liphook Way, Allington  
 Maidstone, Kent, ME16 0LQ, UK  
 Phone: +44 1622 607800  
 Fax: +44 1622 607801  
 Email: [info@sekisui-dx.com](mailto:info@sekisui-dx.com)



**SEKISUI**  
**DIAGNOSTICS**

Because every result matters™

[sekisuidiagnostics.com](http://sekisuidiagnostics.com)